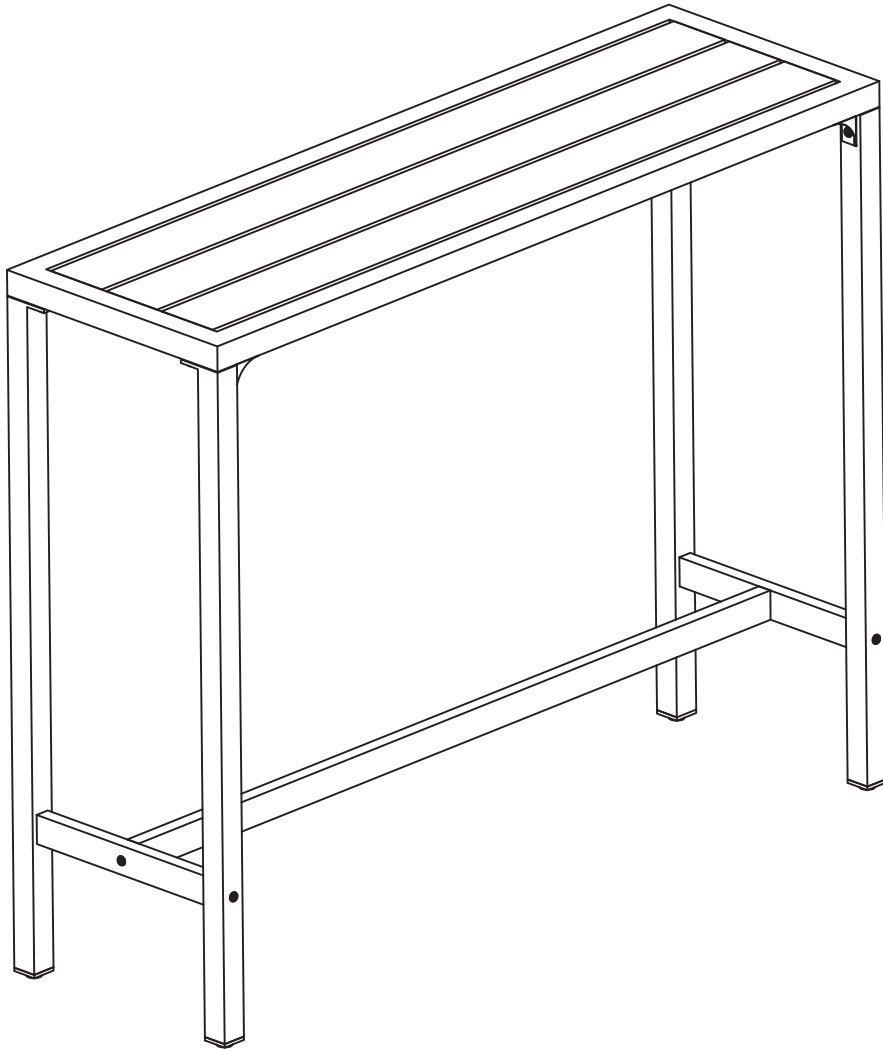


# Outdoor Bar Table

Assembly Instructions

A033-002



**KINDLY NOTICE** - Please read these instructions carefully before starting assembly

## HASSEL-FREE WARRANTY

We proudly provide 1-YEAR warranty, if there are any questions with the products, please feel free to contact with us.

✉ Email: [support@patio-outdoor.com](mailto:support@patio-outdoor.com)



The assembly will be easier with 2 people while 1 person could also do the job.

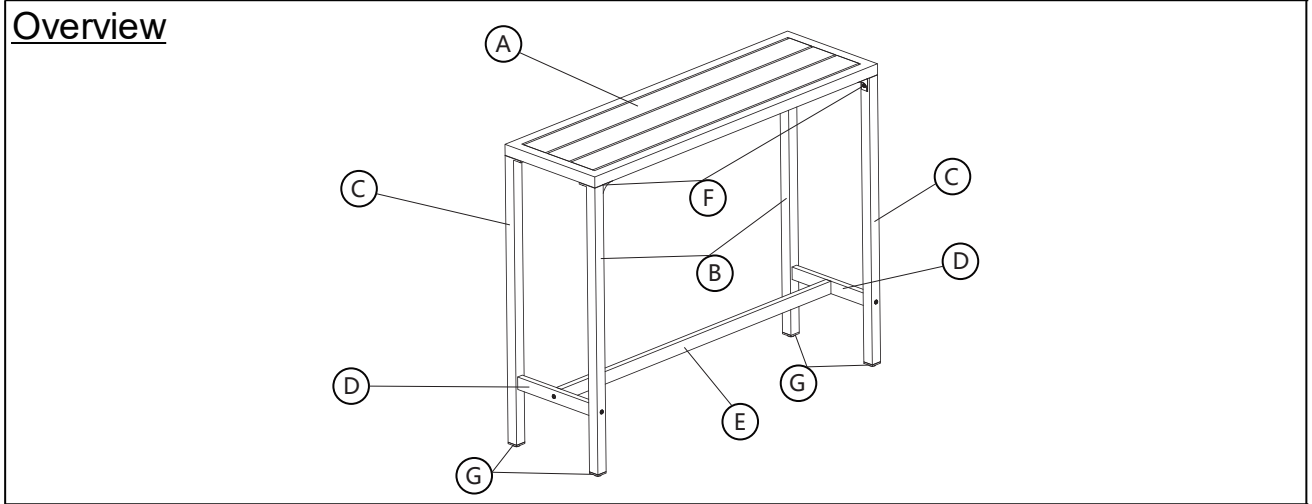


Around 15 MIN

# Parts List

If you have any issue with our products, such as missing parts, please email: [support@patio-outdoor.com](mailto:support@patio-outdoor.com)

## Parts required



## Components

Label	Picture	Description	QTY
A		Table Top	1
B		Right Leg	2
C		Left Leg	2
D		Side Stretcher	2
E		Middle Stretcher	1
F		Connector	4
G		Adjustable Foot	4

## Hardware & Tools

Label	Picture	Description	QTY
①		Bolt (M6*20MM)	12
②		Bolt (M6*30MM)	2
③		Bolt (M6*40MM)	4
④		Allen Key(4MM)	1

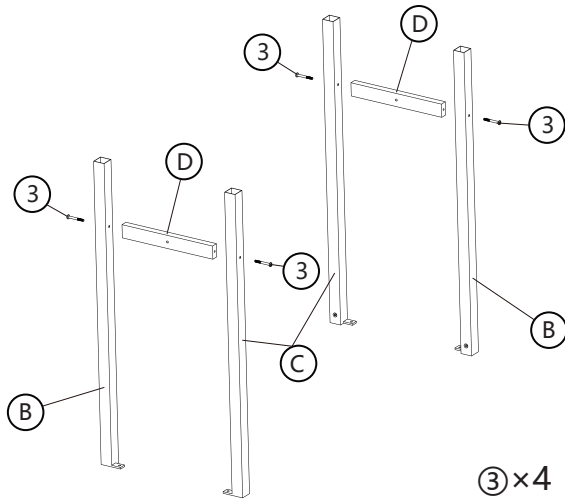
**Note:** The quantities above are the correct amount to complete the assembly. In some cases more fittings may be supplied than are required.

# Assembly

If you have any issue with our products, such as missing parts, please email: support@patio-outdoor.com

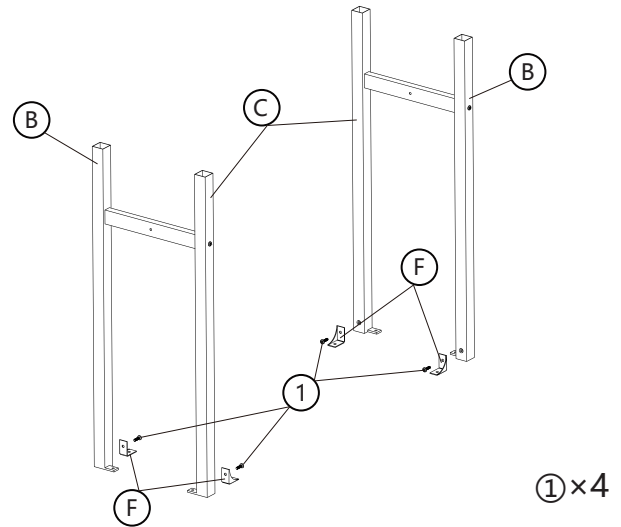
## Step1

Use "③ Bolt (M6\*40MM)" to install the "Right Leg (B)", "Left Leg (C)" and "Side Stretcher (D)" together.



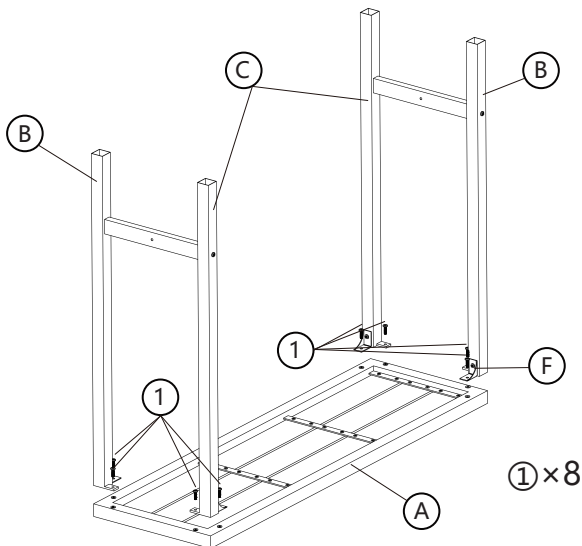
## Step2

Install "Connector (F)" onto "Right Leg (B)" and "Left Leg (C)" with "① Bolt (M6\*20MM)".  
**ATTN: Facing the beveled side of "Connector (F)" outward.**



## Step3

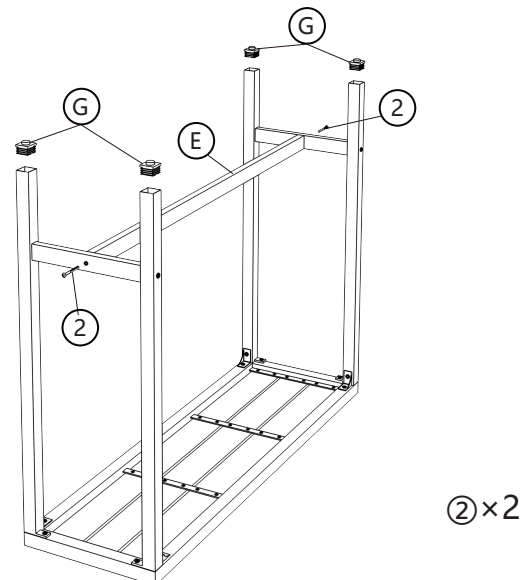
Install the components assembled in step 2 onto "Table Top (A)" with "① Bolt (M6 \* 20MM)".



## Step4

Connect the "Middle Stretcher (E)" to the "Side Stretcher (D)" on both sides with "② Bolt (M6 \* 30MM)".

Install "Adjustable Foot (G)" onto "Right Leg (B)" and "Left Leg (C)" respectively.





# WARRANTY

Outdoor furniture  
1-year Warranty Program

For a period of one (1) years after date of purchase, the Manufacturer will either repair or replace defective components in accordance with this Limited Warranty. This warranty is between the Manufacturer and the original purchaser and is valid only when accompanied by the original purchaser's sales receipt showing original date of purchase

The manufacturer or its authorized dealer can accept or reject warranty claims based on its findings. This warranty applies in normal residential use only and is not intended for commercial use. The Manufacturer can make substitutions as required of materials, components, and sub-components of comparable value and utility. This warranty is limited to product repair or replacement (to be determined solely by the Manufacturer). Warranty return is limited to only the single affected component.

This limited warranty covers only manufacturing defects and does not cover normal wear and tear, damage due to acts of nature (such as, but not limited to freezing or high winds), abuse or misuse, including chemical damage from suntan oil or other chemicals, exposure to extreme heat or cold, abrasion or excessive weight. This product is intended to be used in standard installations only. This warranty is void if the product is not used for its intended purpose. The Manufacturer disclaims liability for any aspect of installation and any inconvenience caused by a defective part of a component

## **Certain items are not covered by this warranty. These include, but are not limited to the following:**

1. Components subjected to abuse, including abuse intended to simulate failure
2. Damages caused by retailer, shipper or installation error (such as scratches, dents, tears, chips, etc.)
3. Any part that only shows normal wear and tear on the surface, including debris, scratches, or material stretching and stitching.
4. Tears, punctures, scratches or any damage caused by improper installation or use.

## **General care & maintenance**

Clean with a damp cloth and mild detergent only,do no use bleach or abrasive cleaners.

***\* If you need after-sales service, please provide the original purchase record and a brief description of the problem. Please also provide your email address or mobile number***