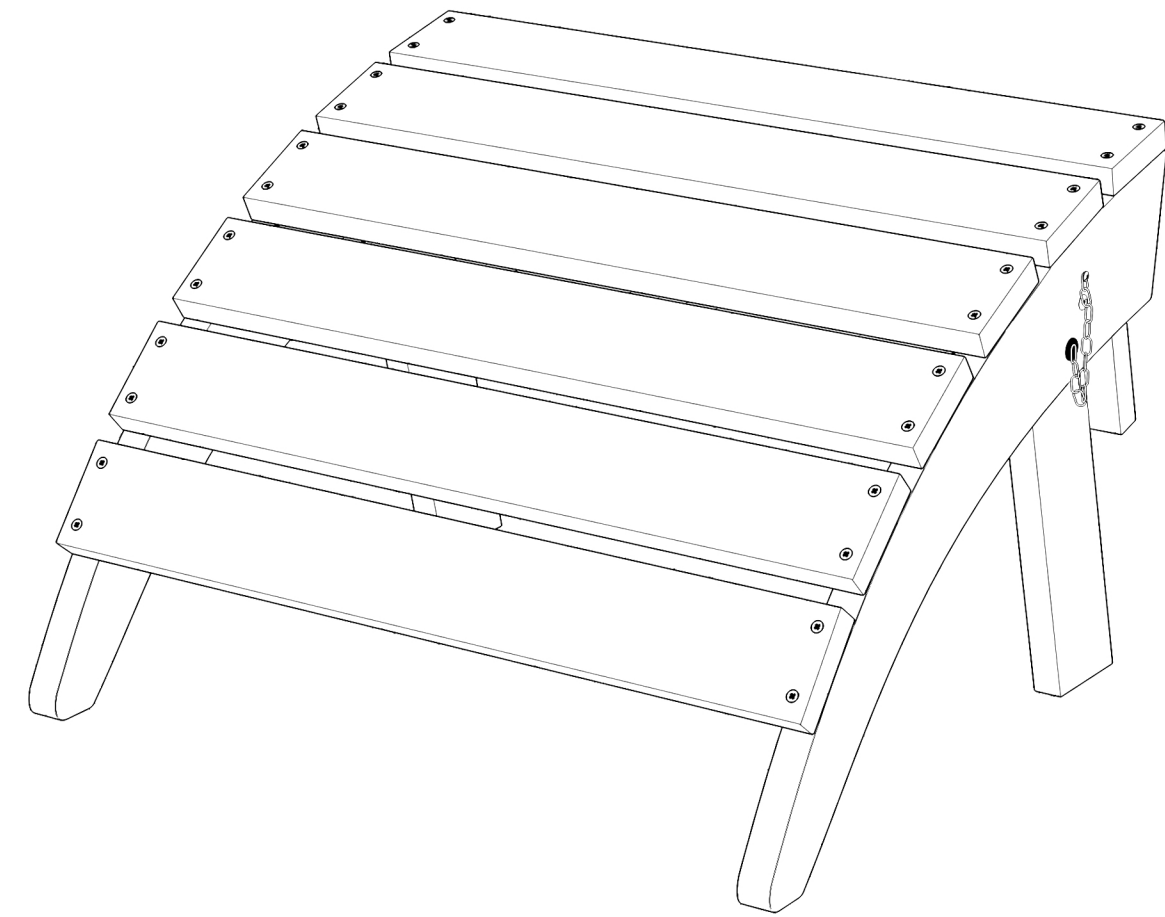


# Assembly Instructions



ADIRONDACK FOLDABLE OTTOMAN

A061-004-001



**Important** - Please read these instructions fully before starting assembly

## HASSLE-FREE WARRANTY

Kingyes stand behind the quality of our products.  
For full warranty policy, email: [info@kingyesoutdoor.com](mailto:info@kingyesoutdoor.com)

## Safety & Care Advice

If you need help or have damaged or missing parts, please email: [info@kingyesoutdoor.com](mailto:info@kingyesoutdoor.com)

**Important** - Please read these instructions fully before starting assembly

Check you have all the components and tools listed on the pages 3.

Remove all fittings from the plastic bags and separate them into their groups.

Keep children and animals away from the work area, small parts may cause choking if swallowed.

Make sure you have enough space to layout the parts before starting.

Assemble on a soft level surface to avoid damaging the unit or your floor.

Do not stand or put weight on the product, this could cause damage.

Assemble the item as close to its final position (in the same area) as possible.

Do not place furniture directly in front of radiators, fires or any other source of heat.



220 LBS CAPACITY



1 PERSON ASSEMBLY



AROUND 5 MIN. ASSEMBLY

*The assembly will be easier with two people while one person could also do the job.*

## General care & maintenance

Using damp cloth and mild detergent for routine maintenance, do not use bleach or abrasive cleaners.

From time to time check that there are no loose screws on this unit.

## Clean & Sanitize Tips

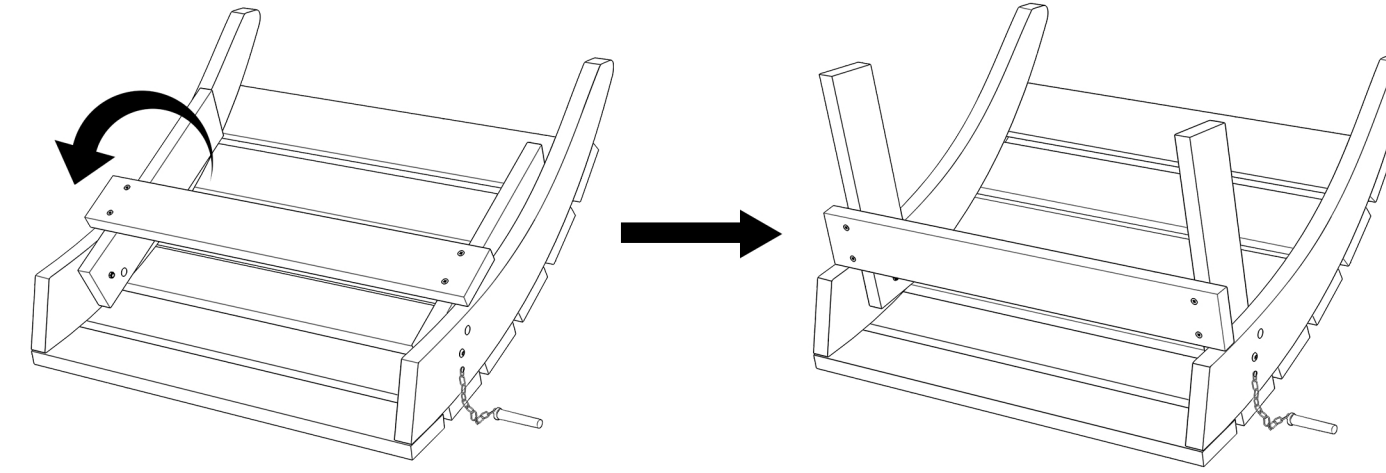
Use this method for a quick clean-up here and there throughout the season — adding in the bleach solution to easily sanitize and eliminate any stubborn stains or dirt build-up from the winter months.

- Mix mild dish soap and warm water in a bucket.
- Use a clean cloth to wipe the soapy mixture onto the surfaces of your furniture, cleaning off any dirt.
- For extra cleaning power or to sanitize, mix 1/3 bleach and 2/3 water.
- Apply bleach mixture to furniture with a clean cloth and allow it to sit on the lumber for a few minutes (this will not affect the color).
- Loosen any dirt and debris that may catch in the surface grooves of the lumber by scrubbing the bleach mixture with a soft-bristle brush.
- Rinse thoroughly using a garden hose with a spray nozzle.

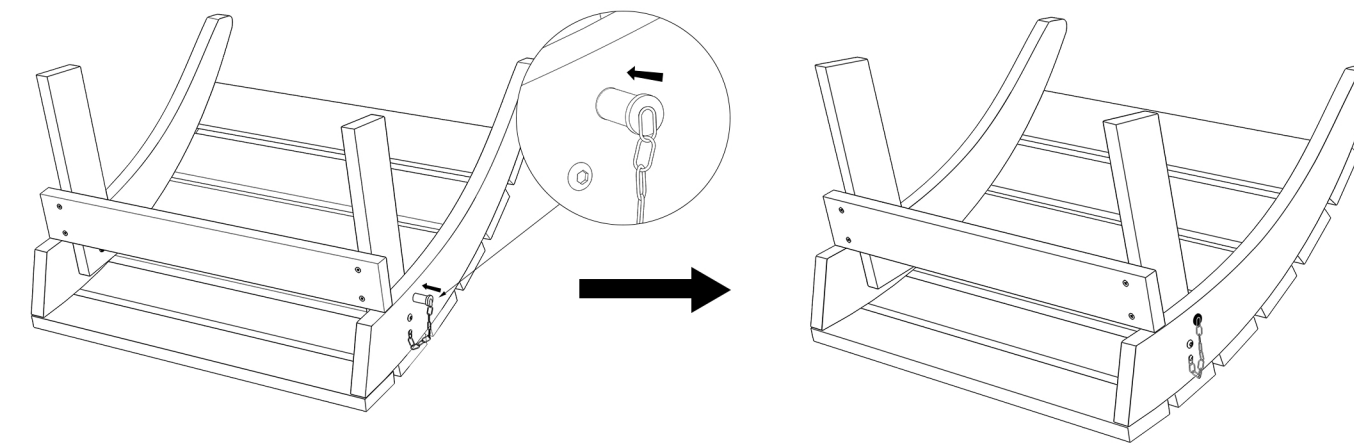
## Using Instruction

If you need help or have damaged or missing parts, please email: [info@kingyesoutdoor.com](mailto:info@kingyesoutdoor.com)

Unfolding the Ottoman



Step 1: Unfold the legs.

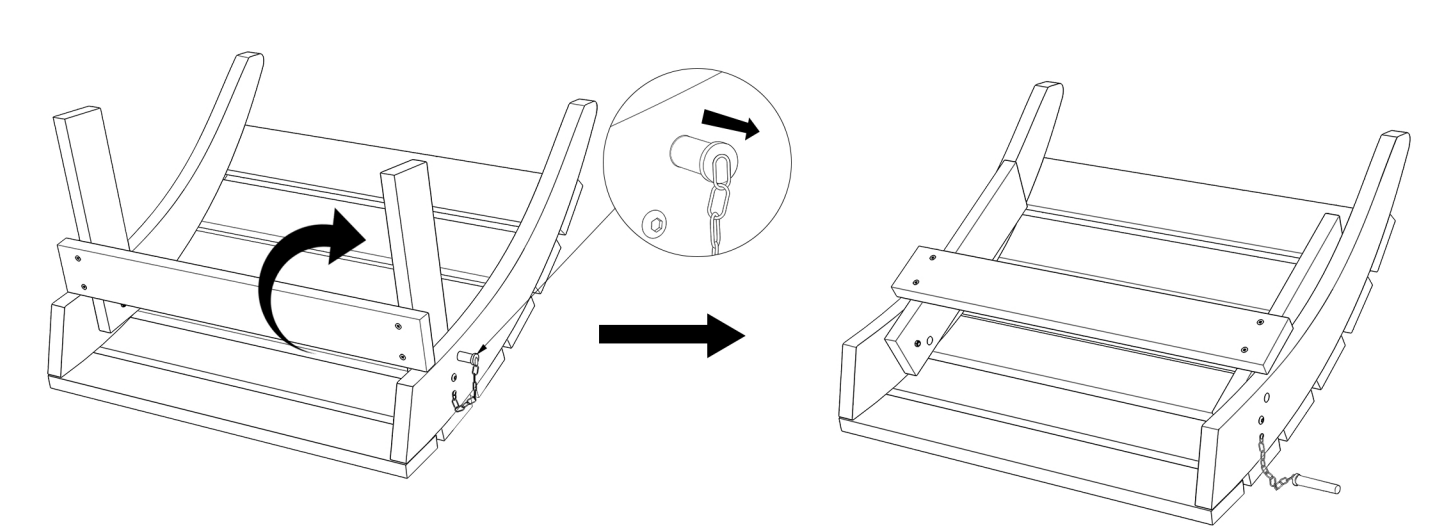


Step 2: Insert the plug.

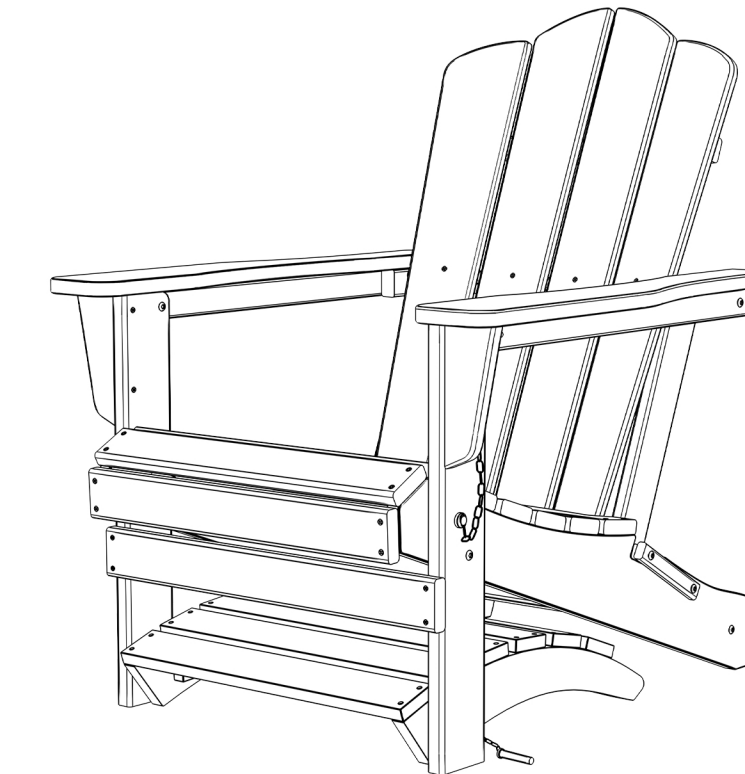
## Using Instruction

If you need help or have damaged or missing parts, please email: [info@kingyesoutdoor.com](mailto:info@kingyesoutdoor.com)

Folding the Ottoman



Pull out the plug, then fold the legs.



Folded ottoman can be stored under the adirondack chair as shown.